

Mounting Guide

16PXL STRIP RGB 2.0

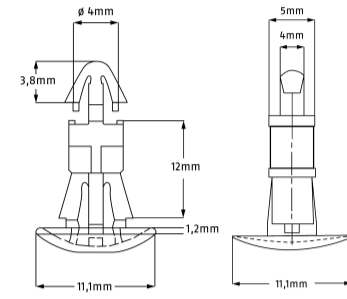
BEFORE MOUNTING, PLEASE READ THE USER MANUAL FOR CABLING AND CONNECTION DETAILS.



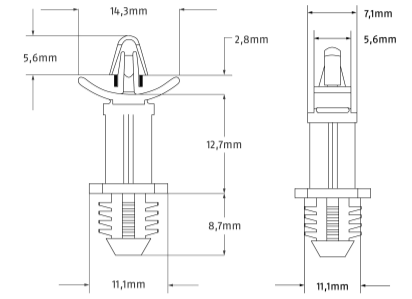
Mounting Accessories

Board holder, punch version (Ø 4.3mm)
Sheet metal

Board holder, drill version (Ø 4.3mm)
Wood

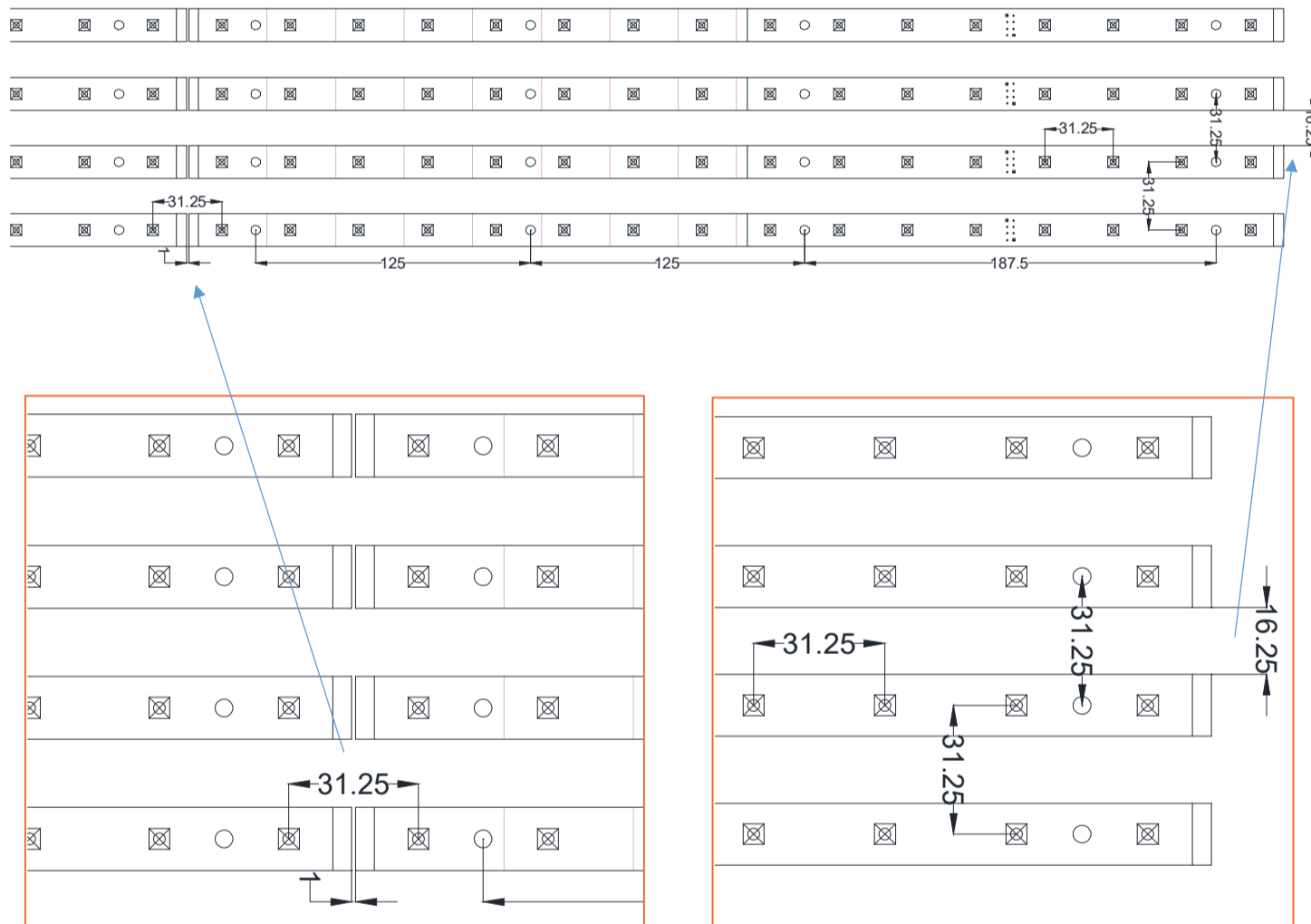
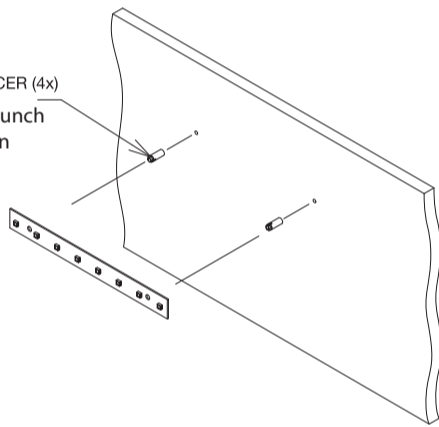


Drill hole: 5.5mm



Drill hole: 8mm

MOUNTING SPACER (4x)
Board holder punch and drill version



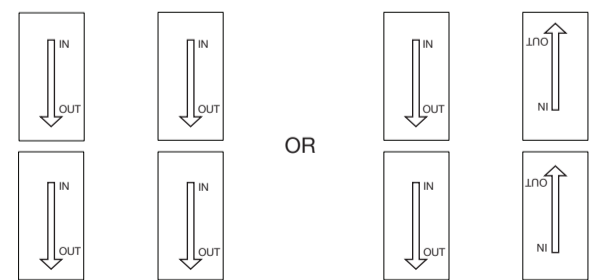
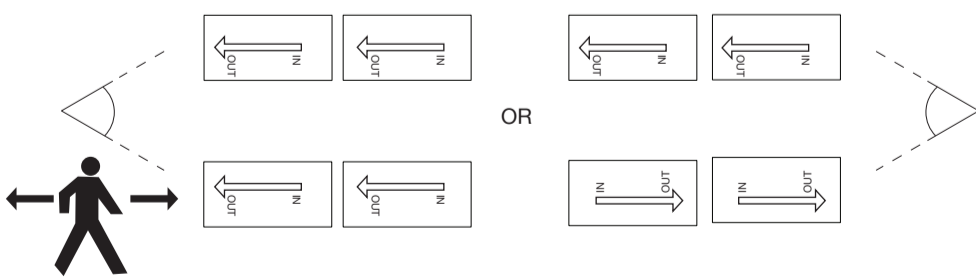
Orientation and Color Mixing

For left or right viewing angles, align the boards left to right or right to left.

For top or bottom viewing angles, align the boards top to bottom or bottom to top.

“Snake Mode”

“Snake Mode”



Main movement pattern



- For best color mixing results, ensure the boards have the same orientation and remain parallel to the main movement pattern of the viewer.
- If same orientation cannot be achieved, ensure the orientation of the boards that snake back are 180° to the previous row / column and consider the main movement pattern of the viewer.