

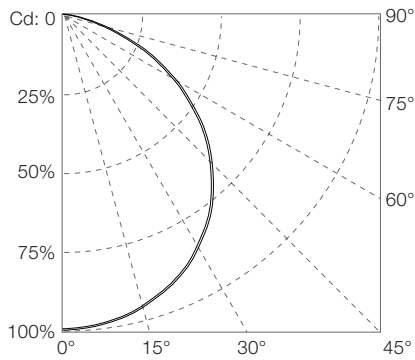
Dot XL-6 RGB Dot XL-9 RGB

Photometrics

Source Specifications

Source	6 LEDs packaged in RGB (One Dot XL-6)	9 LEDs packaged in RGB (One Dot XL-9)
Optics	120° (Clean cover)	
Cover Lens	Clear PC	
CCT	-	

Candela Distribution



Light Output

	Color	Luminous Flux (lm)	Candela Distribution at 100%	Efficacy (lm/W)
Dot XL-6	White	42.72	15.4	17.09
	Red	12.09	4.3	4.84
	Green	28.40	10.3	11.36
	Blue	4.34	1.6	1.74
Dot XL-9	White	65.88	23.9	18.82
	Red	19.53	7.1	5.58
	Green	42.81	15.6	12.23
	Blue	6.97	2.6	1.99

Illuminance at a Distance

	Dot XL-6			Dot XL-9		
	Center Beam LUX	Beam Width (m)		Center Beam LUX	Beam Width (m)	
		V	H		V	H
1m	15	2.94	2.98	24	2.89	2.96
2m	4	5.87	5.96	6	5.78	5.91
3m	2	8.81	8.94	3	8.67	8.87
4m	1	11.74	11.92	1	11.56	11.83
5m	1	14.68	14.91	1	14.45	14.78

For fc divide by 10.7

For feet multiply by 3.28

IES and LDT files are available for download from the Traxon website.

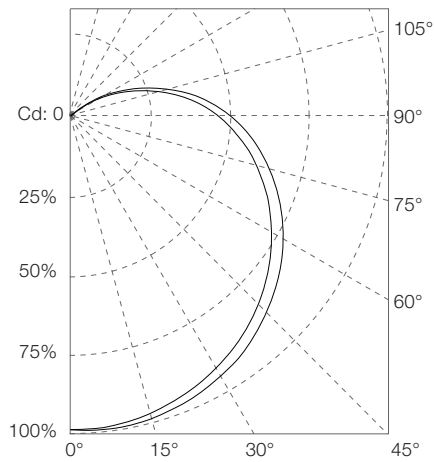
Dot XL-6 RGB Dot XL-9 RGB

Photometrics

Source Specifications

Source	6 LEDs packaged in RGB (One Dot XL-6)	9 LEDs packaged in RGB (One Dot XL-9)
Optics	170°	
Cover Lens ¹	Diffuser Dome (PC)	
CCT	-	

Candela Distribution



Light Output

	Color	Luminous Flux (lm)	Candela Distribution at 100%	Efficacy (lm/W)
Dot XL-6	White	28.20	5.1	11.28
	Red	9.73	1.8	3.89
	Green	16.93	6.1	6.77
	Blue	2.95	0.5	1.18
Dot XL-9	White	43.70	7.9	12.49
	Red	14.92	2.7	4.26
	Green	27.13	4.9	7.75
	Blue	5.08	0.9	1.45

Illuminance at a Distance

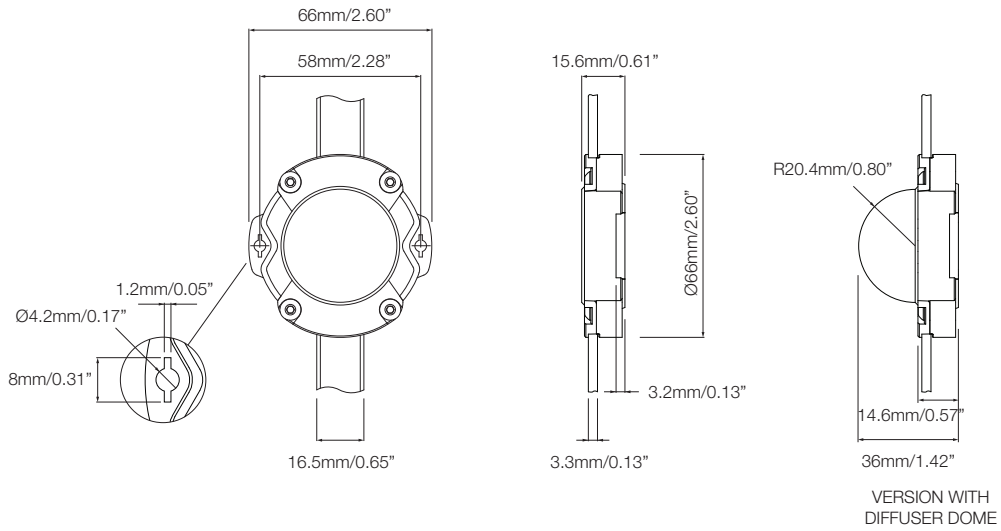
	Center Beam LUX		Beam Width D	
	Dot XL-6	Dot XL-9	Dot XL-6	Dot XL-9
1m	5	8	23.98m	24.33m
2m	1	2	47.95m	48.66m
3m	1	1	71.93m	72.98m
4m	0	0	95.91m	97.31m

For fc divide by 10.7

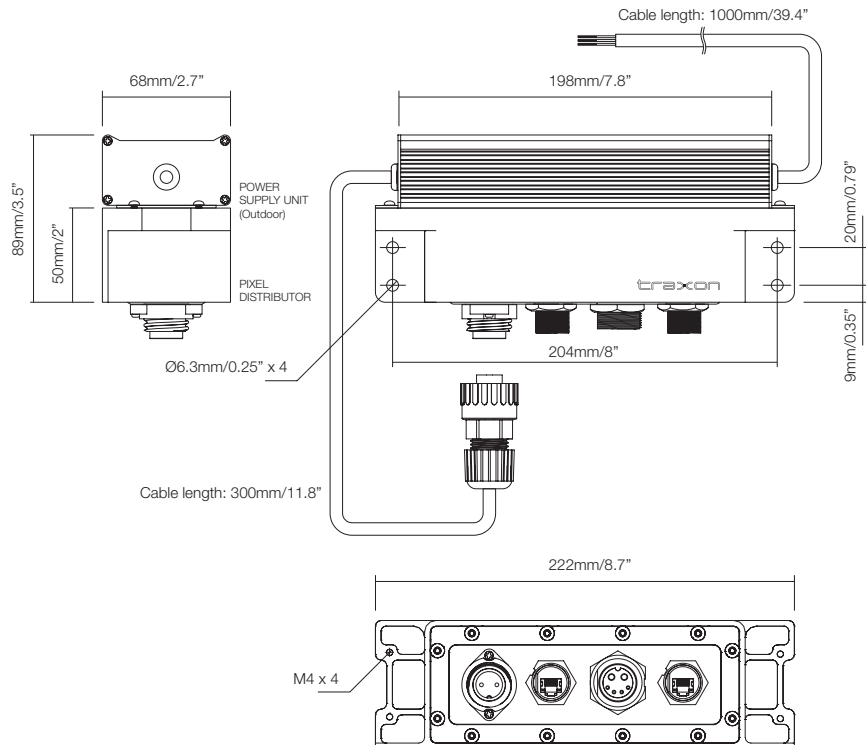
For feet multiply by 3.28

IES and LDT files are available for download from the Traxon website.

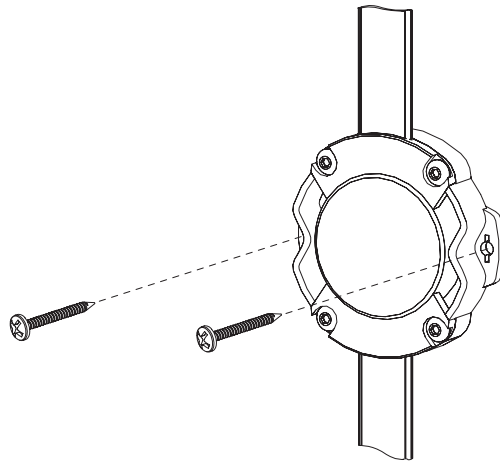
Dot XL



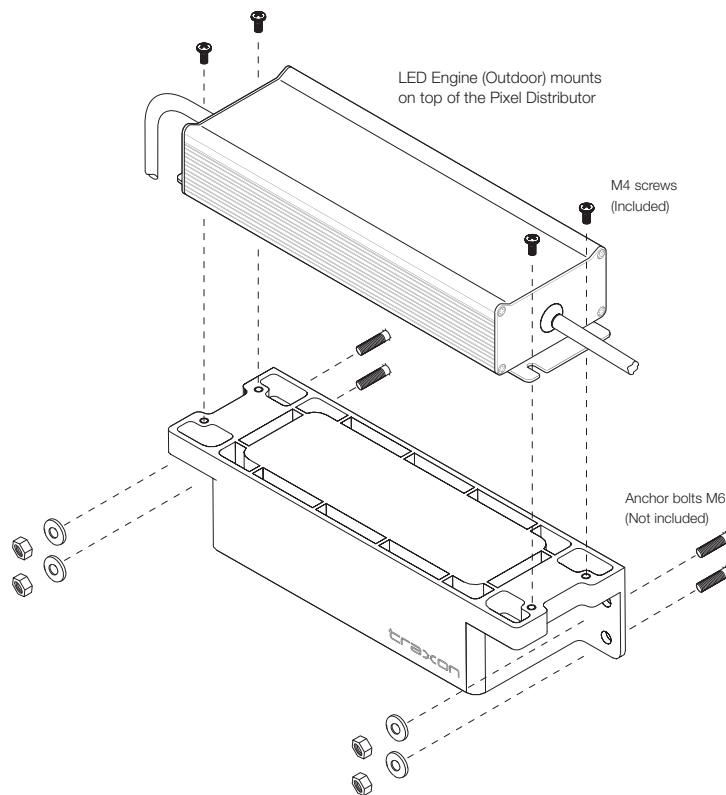
Pixel Distributor with Power Supply (Outdoor)



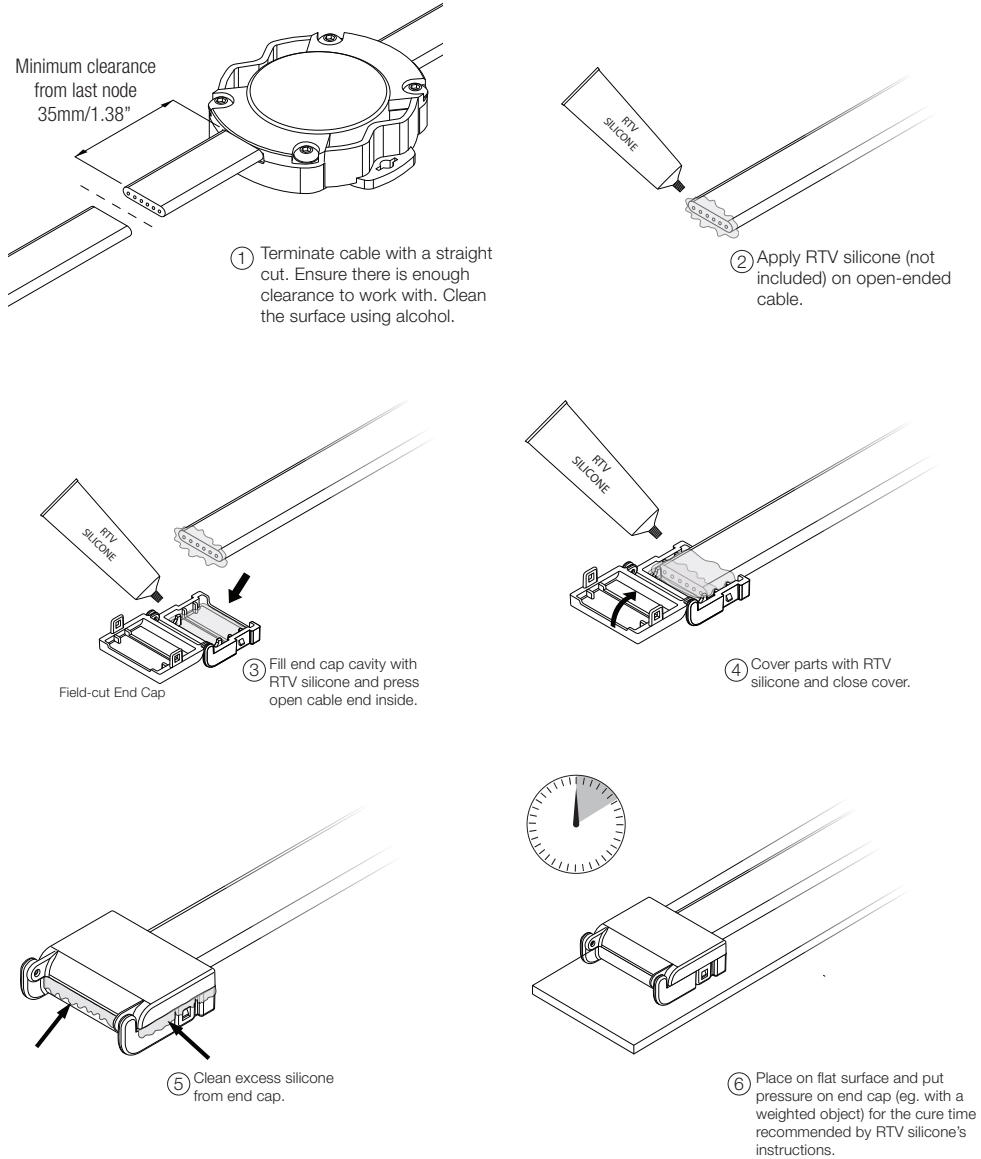
Dot XL



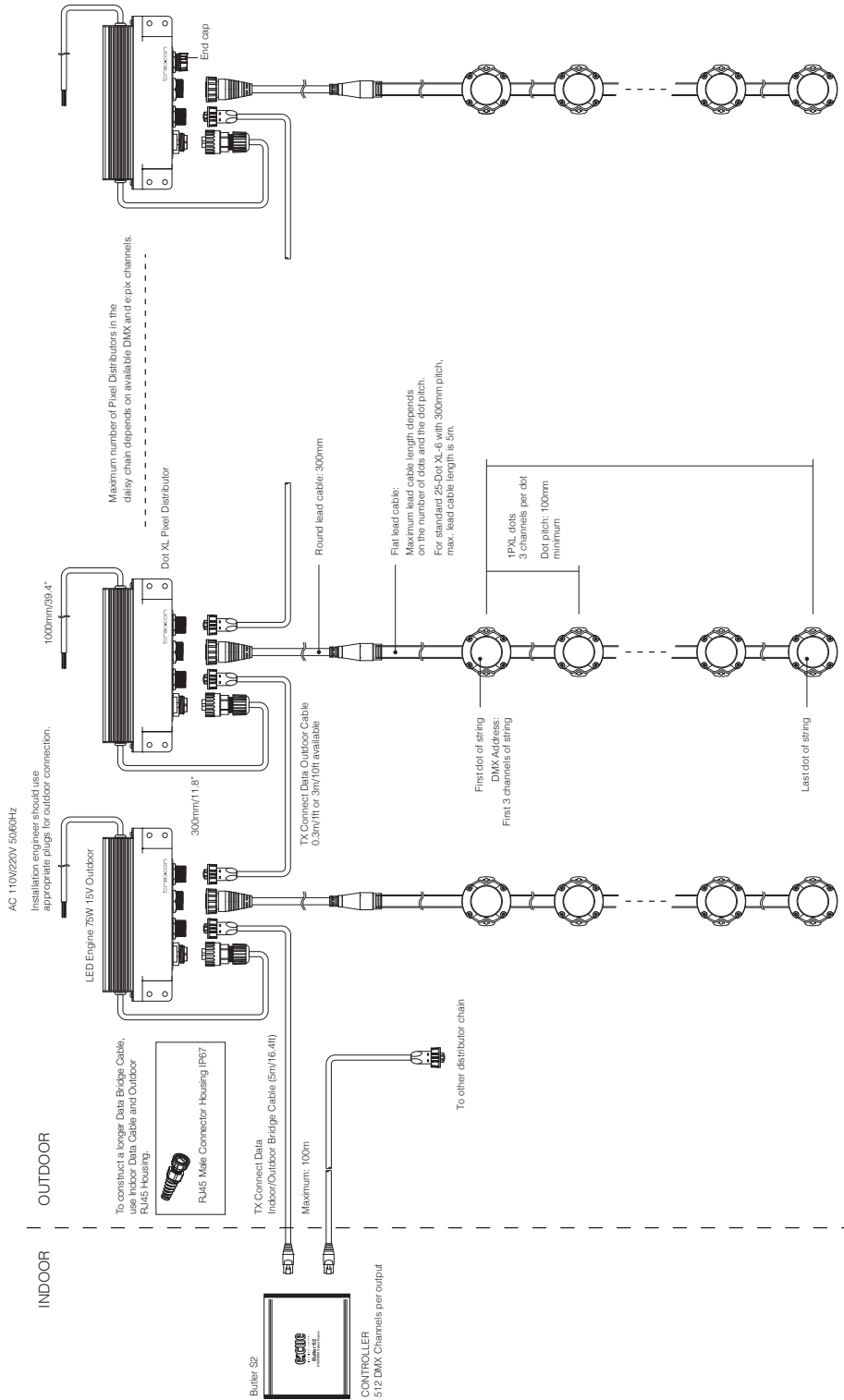
Pixel Distributor



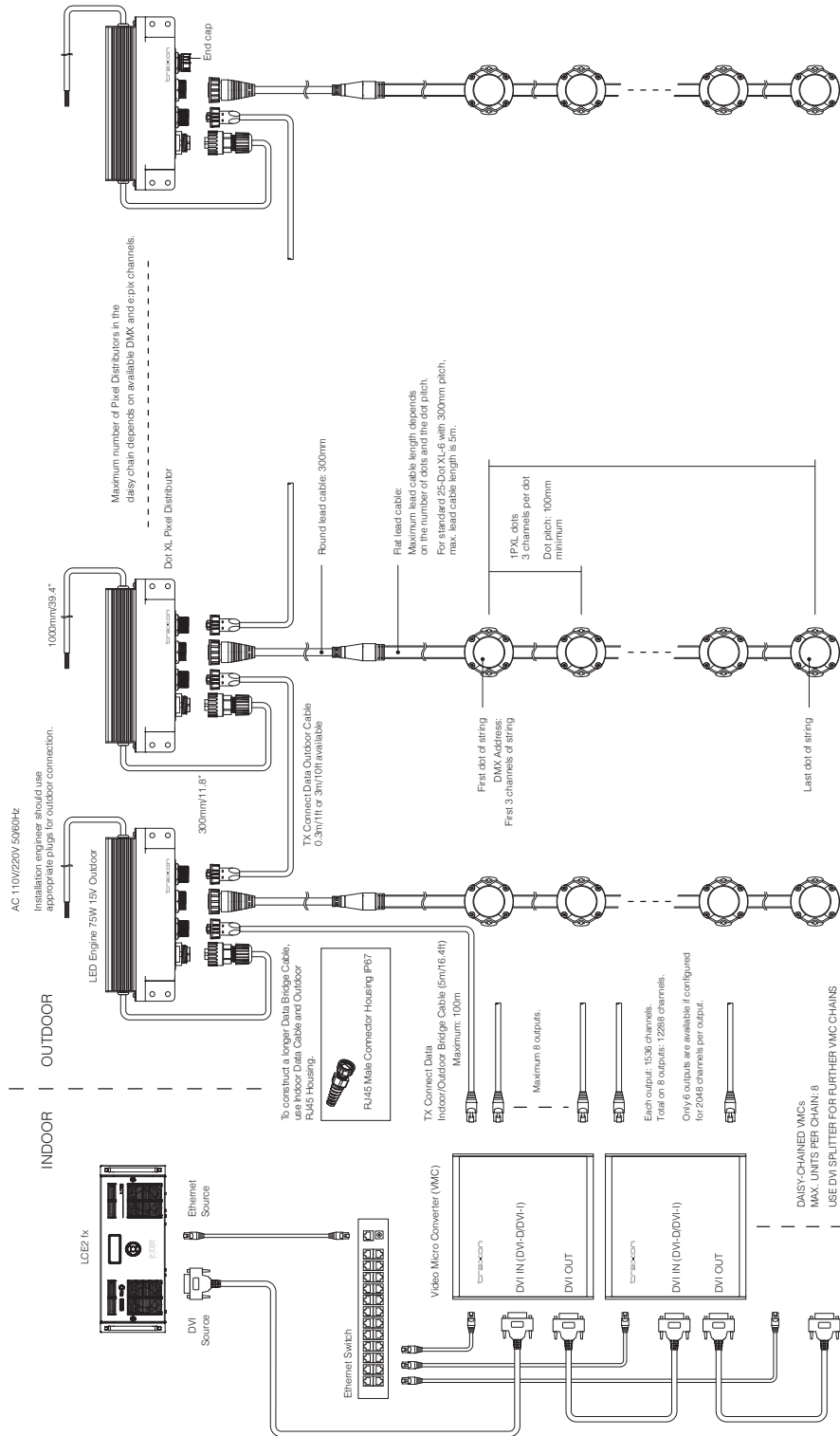
Terminating the Dot XL cable and sealing with Field-cut End Cap (End Cap not included)



System Diagram - Butler S2



System Diagram - Video Micro Converter





Dot XL-6 RGB Dot XL-9 RGB

Ordering

Fixtures

Model No.	Description	Item Code
DO.XB.7100000	40PXL Dot XL-6 RGB, 300mm Pitch, 5m Lead Cable	AA508190055
DO.YB.7100000	40PXL Dot XL-6 RGB with Dome, 300mm Pitch, 5m Lead Cable	AA559410055
DO.XC.7100000	32PXL Dot XL-9 RGB, 300mm Pitch, 5m Lead Cable	AA508200055
DO.YC.7100000	32PXL Dot XL-9 RGB with Dome, 300mm Pitch, 5m Lead Cable	AA508210055

Standard Accessories (Included in Delivery)

Model No.	Description	Item Code
N/A	1x Pixel Distributor, 4x M4 Screws	N/A

Optional Accessories

Model No.	Description	Item Code
DO.AC.0003600	Dot XL Field Cut End Cap (50pcs)	AA556200055

TX Control

Model No.	Description	Item Code
EN.BU.0000001	Butler S2	AB436200031
AC.BG.0000001	Butler S2 Garage (Optional)	AA611800031
160185	Video Micro Converter (DMX/e:pix)	AA438940235
160194	Video Micro Converter Garage (Optional)	AA623920031

TX Connect

Model No.	Description	Item Code
DE.AC.0000100	TX CONNECT Data Indoor/Outdoor Bridge Cable, 5m/16.4ft	AA508850055
DI.IC.0100000	TX CONNECT Data Cable, 1m/3.28ft	AA556130055
DI.IC.0300000	TX CONNECT Data Cable 3m/9.84ft	A63408C0055
DI.IC.1000000	TX CONNECT Data Cable 10m/32.8ft	A6341040055
DE.IC.0060000	TX CONNECT Data Outdoor Cable, 0.6m/1.97ft	AA664580055
DE.IC.0300000	TX CONNECT Data Outdoor Cable, 3m/9.84ft	AA438810055
DE.AC.0100000	RJ45 Male Connector Housing IP67	AA556100155

TX Power

Model No.	Description	Item Code
PS.OA.0012000	LED Engine 150W 15V Outdoor	AA726910055



©2016 TRAXON TECHNOLOGIES - AN OSRAM BUSINESS. ALL RIGHTS RESERVED. TRAXON™, TX CONNECT®, ARE TRADEMARKS OF TRAXON TECHNOLOGIES. U.S. PATENTS, E.U. PATENTS, JAPAN PATENTS, OTHER PATENTS PENDING. SPECIFICATIONS ARE SUBJECT TO CHANGE WITHOUT NOTICE.